

MODELS



Round



Square

POSITIONS

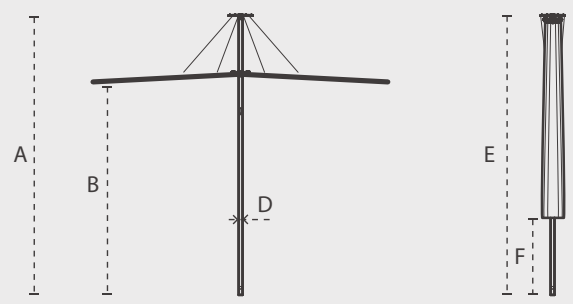




COLORS

	Marble	Curacao	Mint	Blush	Pepper	Almond	Sand	Blue Storm	Flanelle	Black
SUNBRELLA										
SOLIDUM										
	Natural	Canvas	Grey	Taupe						

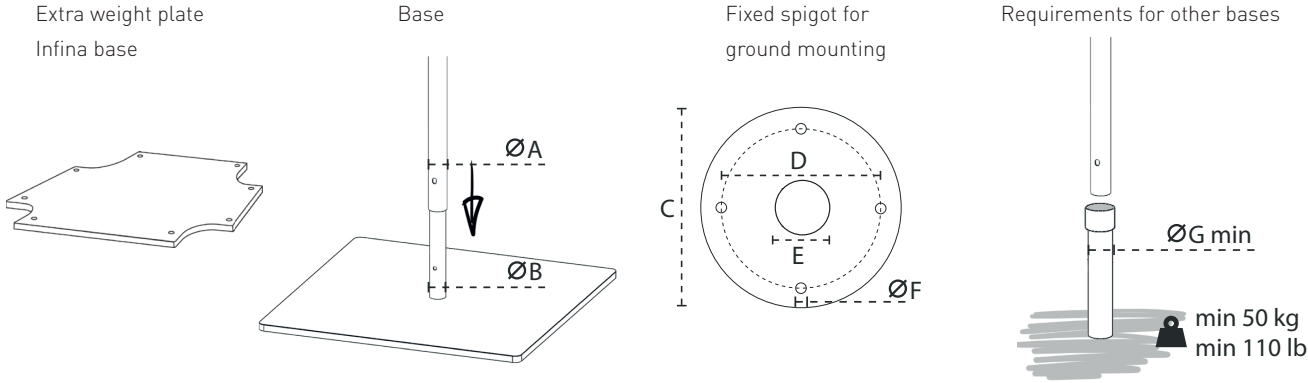
All colors of the Sunbrella fabric range furniture grade Solids' (no stripes or patterns) are available on special request with a minimum order quantity of 10 pcs. Contact Umbrosa for more information.

DIMENSIONS



	$\pm 2\%$ T-----T	A cm/ft	B cm/ft	D mm/inch	E = A cm/ft	F cm/ft
	3m/9' 10"	275/9'	225/7' 5"	Ø50x2 / Ø2"x0.1"	275/9'	117/3' 10"
	2,5m/8' 20"	275/9'	225/7' 5"	Ø50x2 / Ø2"x0.1"	275/9'	90,5/2' 11"
	3m/9' 10"	275/9'	225/7' 5"	Ø50x2 / Ø2"x0.1"	275/9'	55/1' 9.7"

DIMENSIONS FOR BASE AND ROUND SUPPORT



60 x 60 cm - 20 kg - galvanized
(compulsory for 3x3 square)
For non-permanent base options -
see spec sheet Installation Options

	A mm/inch	B mm/inch	C mm/inch	D mm/inch	E mm/inch	F mm/inch	G mm/inch
spigot and pole dimensions	50/2"	45/1.8"	215/8.5"	170/6.7"	45/1.8"	11/0.43"	52/2.1"

MATERIALS



FABRIC

Solidum – 100% Acryl 250 gr/m²

Sunbrella – 100% Acryl 260 gr/m²

More details – see spec sheet Fabrics

Confection Scheme:



3m RO



2,5m SQ



3m SQ Sunbrella



RIBS

Naturally anodized aluminum



POLE

Naturally anodized aluminum or powder coated aluminum RAL 8022 (Dusk)

OTHER MATERIALS

Cables : stainless steel Ø 2mm

Top plate : aluminum powder coated RAL 7047 TEC (Grey) or RAL 8022 TEC (Dusk)

Hub: marine grade stainless steel (316)

Rope: Ø 5mm

For projects – consult Umbrosa for powder coating finish options (RAL).

Contact us for the details on the MOQ.

PACKAGING & TRANSPORT

Infina	L (cm)	W (cm)	H (cm)	Weight (kg)	L (")	W (")	H (")	Weight (lbs)
Umbrella box	281	27	27	11	9'2"	10"	10"1/2	24.2

NICE TO KNOW

- Spare parts available
- Designed and manufactured in Belgium
- Warranty between 15 and 2 years, see Warranty Sheet
- Download manual (QR-code included)
- Storage bag included (PU coated fabric)
- Wind speeds up to 6 beaufort, 50 km/h, 31 mph when base is permanently fixed (for details, please check our pricelist)
- Tested at TU Delft

The content of this document, in particular the mentioned models, is protected by copyrights and/or design rights. The present document and its content is communicated to you for information purposes only. Any partial or total reproduction or any other use without our prior written permission is strictly prohibited. This technical sheet remains subject to possible changes. Of course we do our best to eliminate all mistakes, but Umbrosa is not responsible for the errors in the documentation of products. All measurements are approximate and are provided for informational purposes only.